



Manufactured by:
 Backyard Discovery
 3305 Airport Drive, Pittsburg, KS 66762
 800-856-4445

Basepoint Business Centre: Rivermead Drive, Westlea, Swindon SN5 7EX Phone: 0800-118-2476 J.P. Coenstraat 7, The Bridge, The Hague, 2595 WP, Netherlands Phone: 08005678990

14x10 STRATFORD, ASHFORD, HAWTHORNE PERGOLA MODEL #'S : 2105058B, 2105065B, 2105072B



**2105058B STRATFORD
 (BLACK)**



2105065B ASHFORD (BROWN)



Electrical enclosure available only in North America



**2105072B HAWTHORNE
 (WHITE)**

Please visit www.backyarddiscovery.com
 For the most up to date assembly manual, to register your product, or to order replacement parts *Para obtener instrucciones en español, visite*
www.backyarddiscovery.com

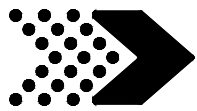


**EASY STEP-BY-STEP
 3D INTERACTIVE INSTRUCTIONS
 DOWNLOAD THE FREE APP**

 ONLY AVAILABLE IN NORTH AMERICA



**INSTALLATION
 SERVICES
 AVAILABLE!**
See inside for details
 ONLY AVAILABLE IN U.S.



It is critically important that you start with square and level footings, concrete pad or deck to attach your structure

- Pay close attention to the items needed for each step. Make sure you are using the correct hardware for each step. Using incorrect hardware may result in improper assembly
- Remember to double check for underground utilities and overhead electrical lines

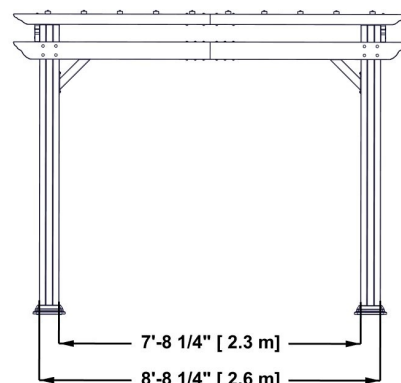
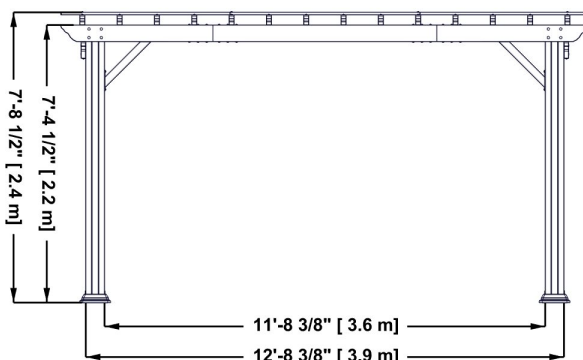
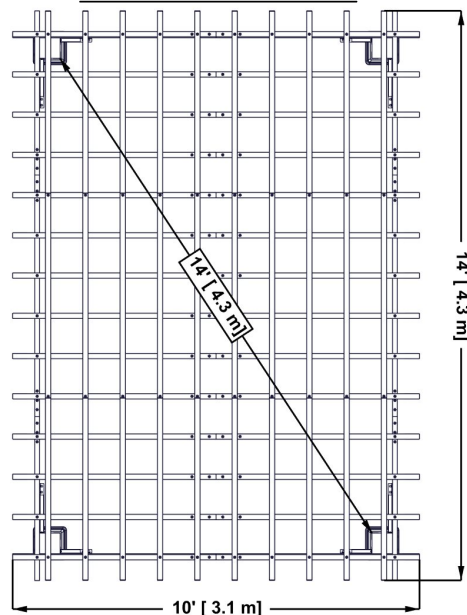
Post mounts are provided with your structure which allows you to permanently install your structure to a pre-existing or new wood or concrete surface.

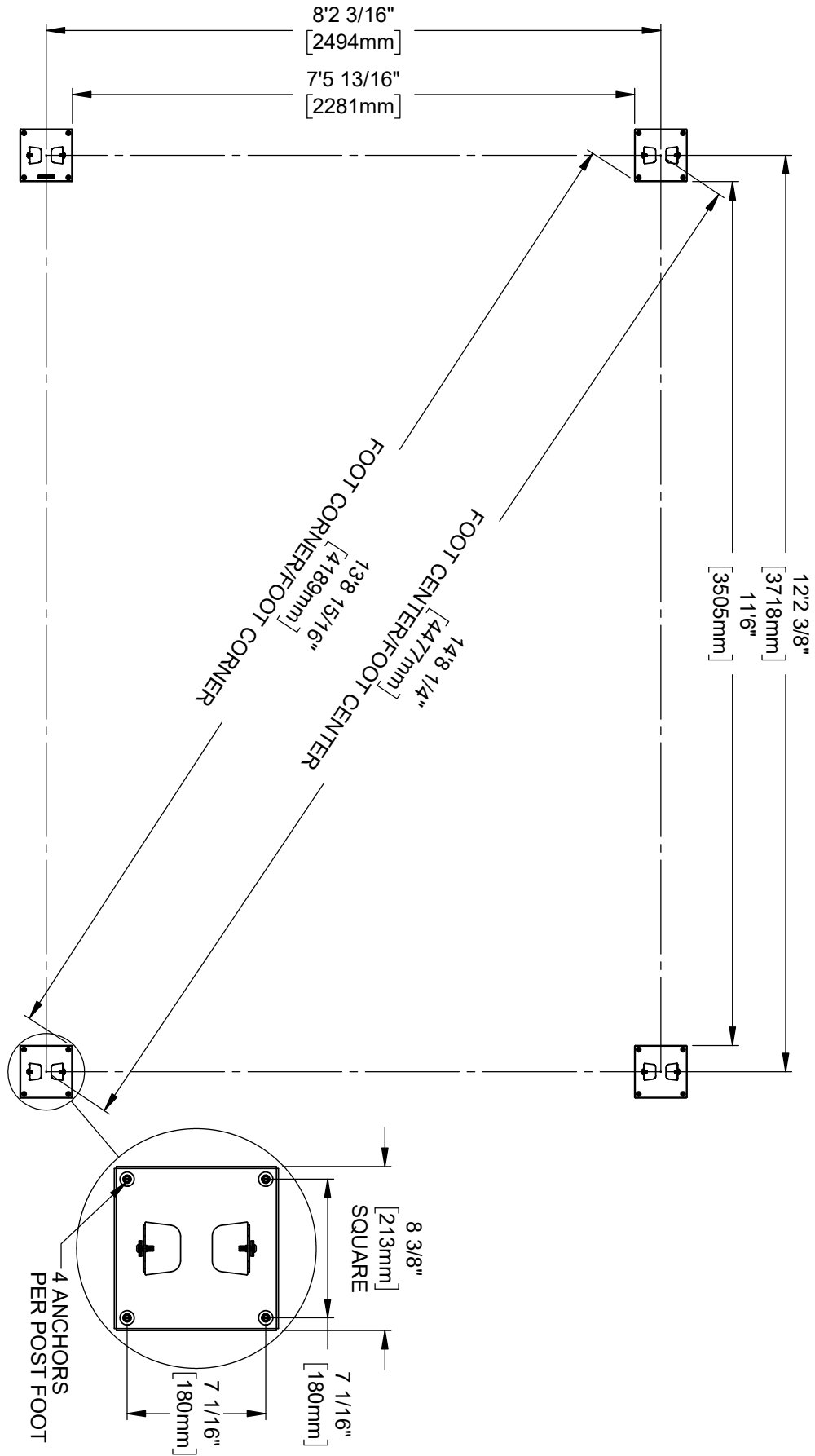
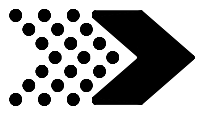
- The hardware to attach the post mounts to the structure is included.
- The hardware to mount the structure permanently to a concrete surface NOT is included.
- The hardware to mount the structure permanently to a wood deck is NOT included and will need to be purchased separately. **You must ensure there is ample structural support under the deck before permanently attaching.**

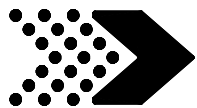
Metal Roof Assembly

Remove plastic covering from metal roof panels before installing each piece. Place roofing materials on a nonabrasive, flat surface before and after assembly as it could bend, dent or scratch

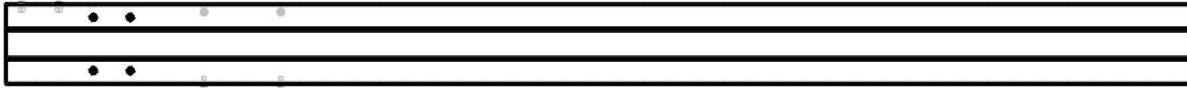
Overall Dimensions



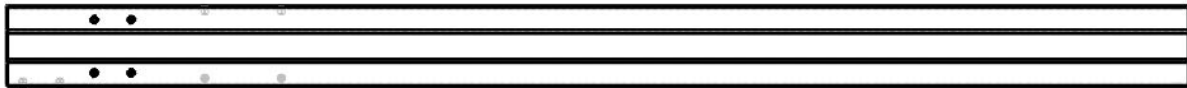




Metal Components (Not to Scale)



A1 POST - A4M01565
(2) 6"x6"x88" (152x152x2235)



A2 POST - A4M01566
(2) 6"x6"x88" (152x152x2235)



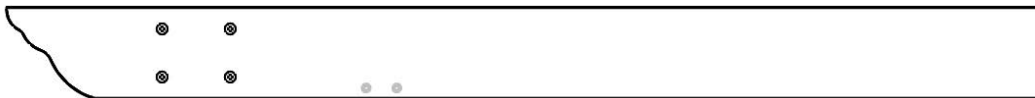
B1 JOIST END - A4M01597
(2) 1 3/8"x5 1/4"x48 1/2" (36x134x1232)



B2 JOIST END - A4M01598
(2) 1 3/8"x5 1/4"x48 1/2" (36x134x1232)



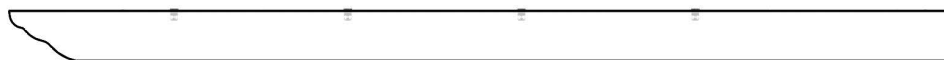
B3 JOIST - A4M01596
(2) 1 3/8"x5 1/4"x71 1/4" (36x134x1811)



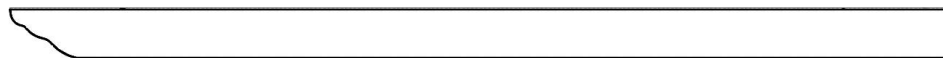
C1 JOIST END - A4M01563
(2) 1 3/8"x5 1/4"x60 1/8" (36x134x1526)



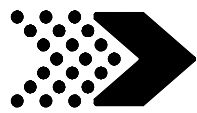
C2 JOIST END - A4M01564
(2) 1 3/8"x5 1/4"x60 1/8" (36x134x1526)



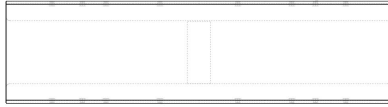
D1 JOIST END - A4M01569
(8) 1 5/8"x3 1/8"x60 1/8" (40x80x1526)



D2 JOIST END - A4M01285
(20) 1 5/8"x3 1/8"x60 1/8" (40x80x1526)



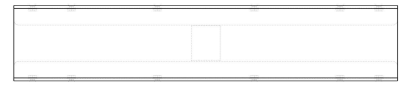
Metal Components (Not to Scale)



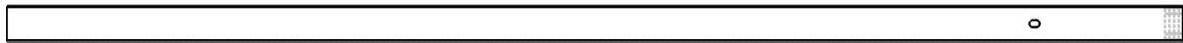
J1 | SPLICE BRACKET - A4M01269
(4) | 1 1/4"x5 1/8"x19 5/8" (33x131x500)



J2 | SPLICE BRACKET - A4M01270
(2) | 1 1/4"x5 1/8"x15 3/4" (33x131x400)



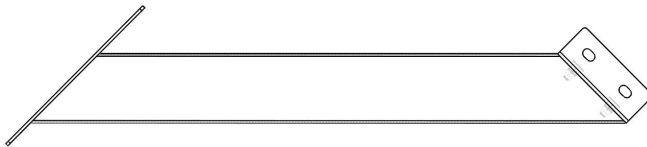
J3 | SPLICE BRACKET - A4M01271
(14) | 1 1/2"x3"x15 3/4" (37x77x400)



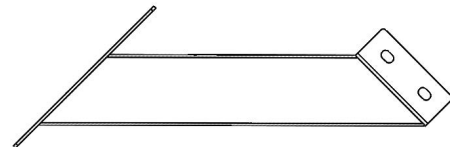
E1 | PURLIN END - A4M01286
(20) | 3/4"x1 5/8"x53 7/8" (20x40x1368)



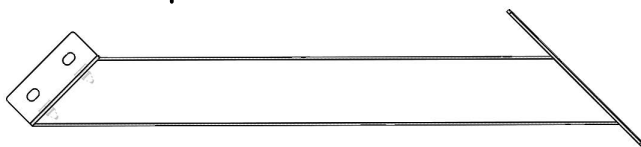
E2 | PURLIN - A4M01277
(10) | 3/4"x1 5/8"x60 3/8" (20x40x1534)



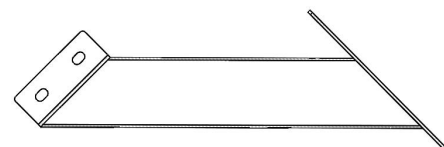
F1 | LONG ANGLE BRACE - A4M01273
(2) | 1 1/8"x4"x21 1/2" (30x101x546)



F3 | SHORT ANGLE BRACE - A4M01275
(2) | 1 1/8"x4"x14" (30x101x355)



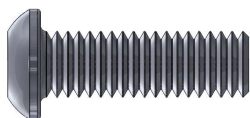
F2 | LONG ANGLE BRACE - A4M01274
(2) | 1 1/8"x4"x21 1/2" (30x101x546)



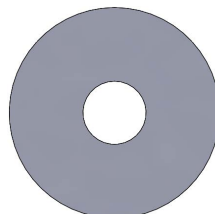
F4 | SHORT ANGLE BRACE - A4M01276
(2) | 1 1/8"x4"x14" (30x101x355)



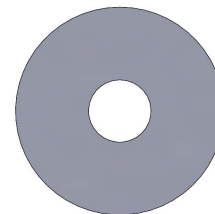
Hardware Components



H101101 | TORX PAN HEAD
(226) | 1/4-20x3/4"



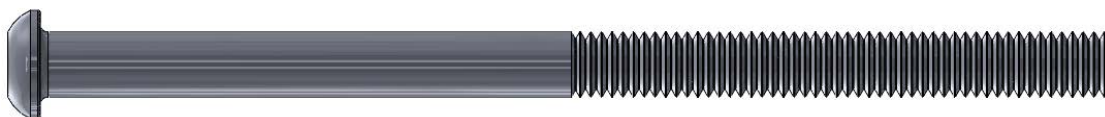
H101053 | STEEL WASHER
(294) | 6x20



H101054 | SEALANT WASHER
(294)



H101107 | TORX PAN HEAD
(42) | 1/4-20x1 1/2"



H101102 | TORX PAN HEAD
(30) | 1/4-20x4"



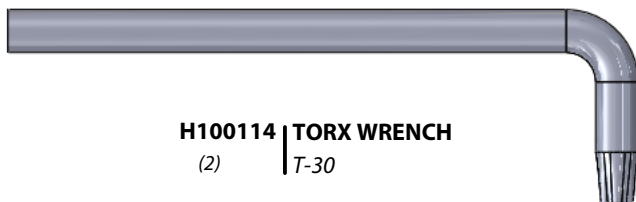
H101103 | TORX SOCKET SCREW
(34) | 1/4-20



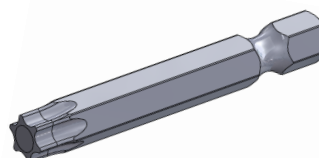
H100120 | SCREW CONCRETE ANCHOR
(17) | 1/4x2



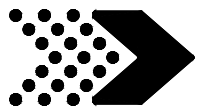
H100630 | WASHER FLAT BLK
(17) | 8x19



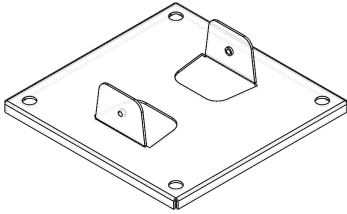
H100114 | TORX WRENCH
(2) | T-30



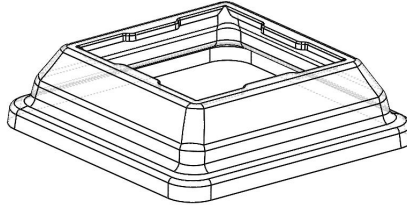
H100147 | TORX BIT
(2) | T-30



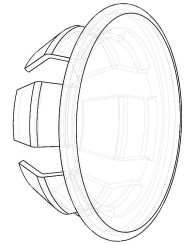
Accessory Components (Not to Scale)



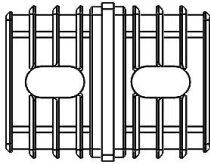
G1 | POST FOOT PLATE - A4M01278
(4) | 2 1/8"x8 3/8"x8 3/8" (54x213x213)



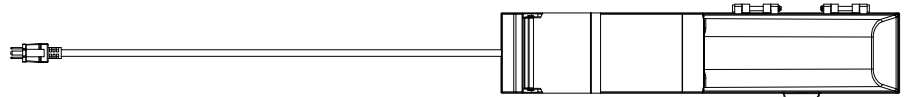
G2 | POST FOOT - A4M01279
(4) | 2 5/8"x9 7/8"x9 7/8" (68x250x250)



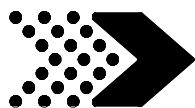
H1 | HOLE COVER - A4M01352
(32)



H2 | 2-WAY SQUARE PLUG- A6P00465
(20) | 3/4"x1 5/8"x2" (20x40x52)



9205413 | ELECTRICAL ENCLOSURE
(x1)



PRE-ASSEMBLY STEP 1

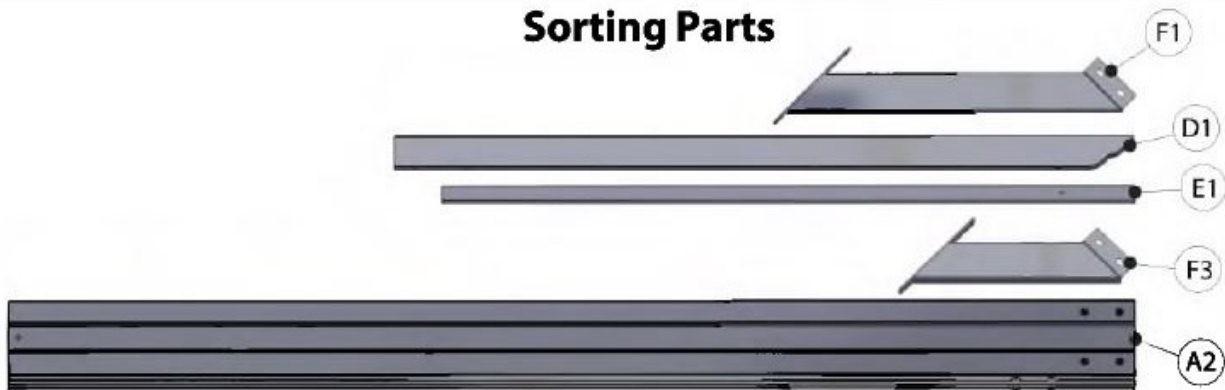
SORTING PARTS



ASSEMBLY TIP:

Keep an eye out for these boxes which will contain helpful pictures and information making the assembly process as quick and painless as possible.

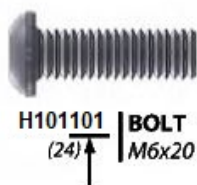
Sorting Parts



When removing the parts from the boxes we recommend arranging them by part number before you begin assembly. This will allow for faster assembly and easily identify any parts that may be missing or damaged.

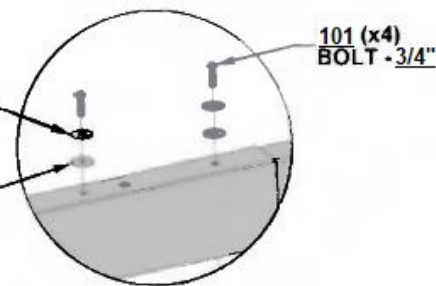
Hardware is identified with a seven digit alpha-numeric part number. During assembly you only need to reference the last three digits of the part number as noted in each step. This will make finding the correct hardware easier.

Hardware Identification



053 (x4)
STEEL WASHER - 6x20

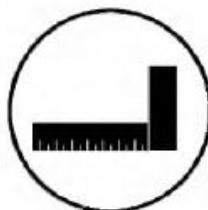
054 (x4)
RUBBER WASHER - 6x20



Tools Required



Some steps in the assembly process will require a second set of hands. Make sure you have a helper available.



You will need to make sure that your assembly is square before fully tightening your bolts.



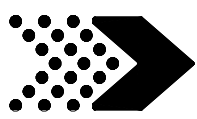
For proper assembly you will need to ensure that your structure is level before proceeding to the next step.



A tape measure may be needed to check overall dimensions to ensure structure is square.



A ladder will be needed for assembly. DO NOT stand or climb on any part of the structure at any point. Doing so may result in injury.



PRE-ASSEMBLY STEP 2 CHOOSE YOUR ASSEMBLY METHOD

There are several types of assembly instructions available to you.

1. Printed Assembly Manual included with your set
2. BILT APP - 3D interactive instructions
3. Combination of the Printed Manual and BILT APP (Note: Step numbers can differ between the two methods)

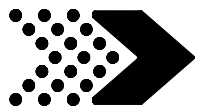
BILT.

**Scan for easy
3D instructions**

Download the BILT app
before you begin

Download on the
App Store

GET IT ON
Google Play



PERGOLA ASSEMBLY

STEP 1



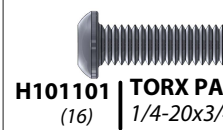
C1 JOIST END - A4M01563
(2) | 1 3/8"x5 1/4"x60 1/8" (36x134x1526)



J2 SPLICE BRACKET - A4M01270
(2) | 1 1/4"x5 1/8"x15 3/4" (33x131x400)



F3 SHORT ANGLE BRACE - A4M01275
(2) | 1 1/8"x4"x14" (30x101x355)



H101101 TORX PAN HEAD
(16) | 1/4-20x3/4"

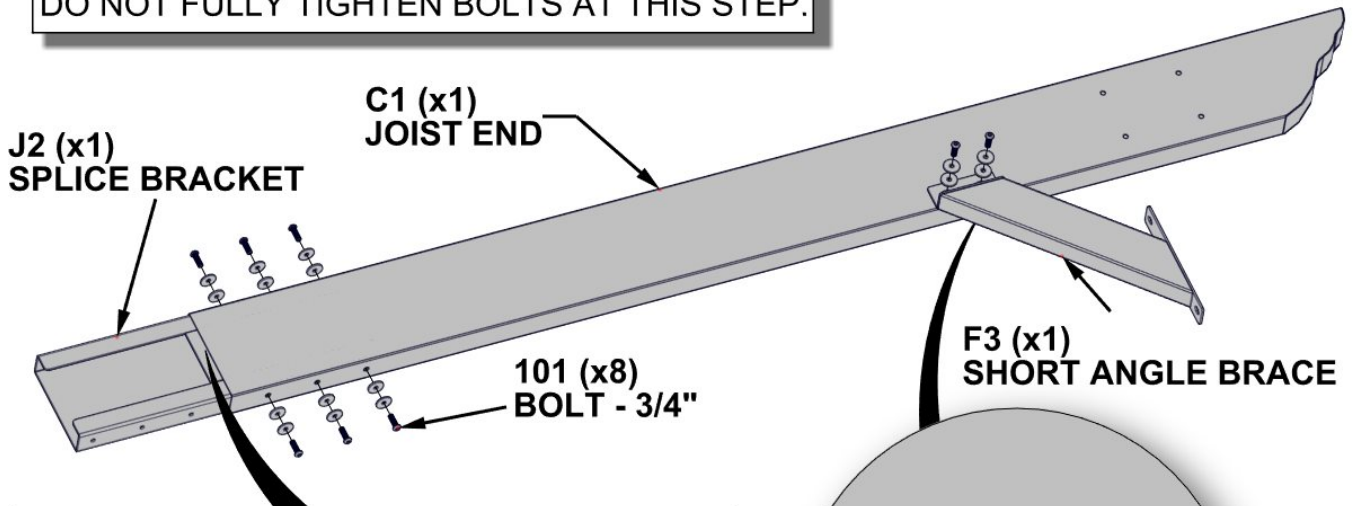


H101053 STEEL WASHER
(16) | 6x20



H101054 SEALANT WASHER
(16)

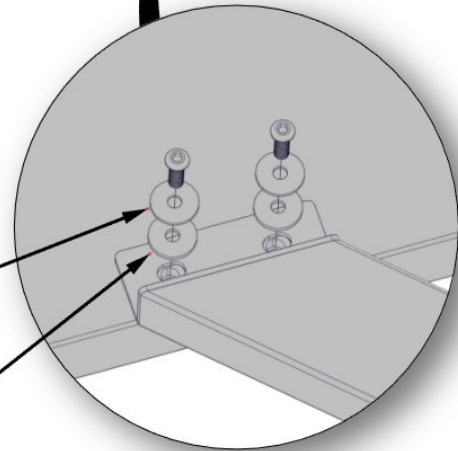
DO NOT FULLY TIGHTEN BOLTS AT THIS STEP.



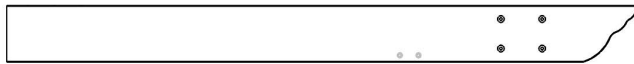
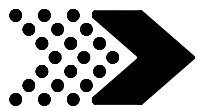
J2 SLIDES INTO C1. LINE UP THREE HOLES ON J2 WITH THREE HOLES ON C1 AND INSERT BOLTS TOP AND BOTTOM.

053 (x8) STEEL WASHER - 6x20

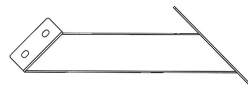
054 (x8) SEALANT WASHER



COMPLETE THIS STEP TWICE.



C2 | JOIST END - A4M01564
(2) | 1 3/8"x5 1/4"x60 1/8" (36x134x1526)



F4 | SHORT ANGLE BRACE - A4M01276
(2) | 1 1/8"x4"x14" (30x101x355)



H101101 | TORX PAN HEAD
(16) | 1/4-20x3/4"

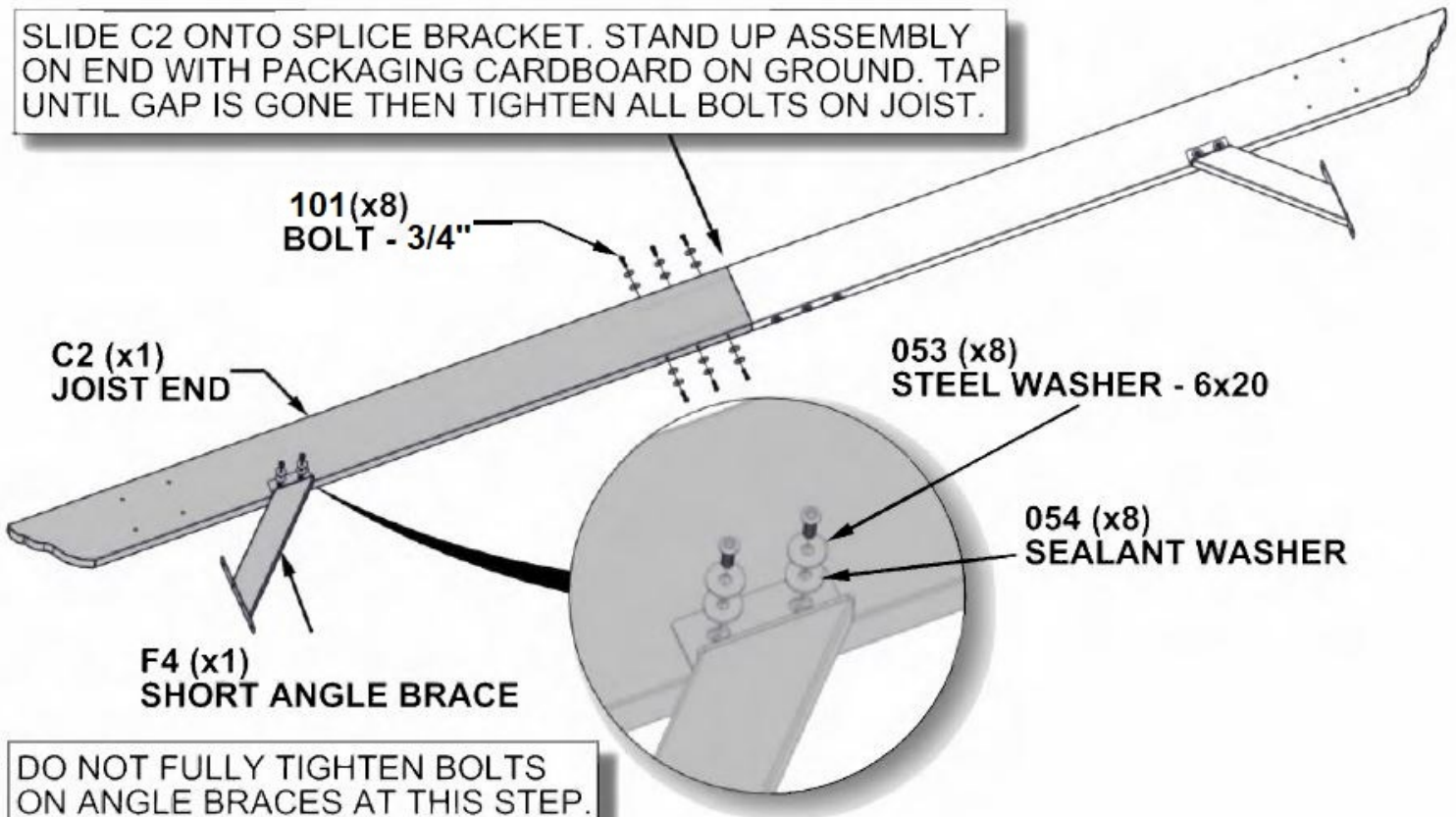


H101053 | STEEL WASHER
(16) | 6x20

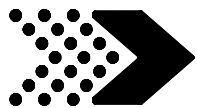


H101054 | SEALANT WASHER
(16)

SLIDE C2 ONTO SPLICE BRACKET. STAND UP ASSEMBLY ON END WITH PACKAGING CARDBOARD ON GROUND. TAP UNTIL GAP IS GONE THEN TIGHTEN ALL BOLTS ON JOIST.



COMPLETE THIS STEP TWICE.



A1 POST - A4M01565
(2) 6"x6"x88" (152x152x2235)

A2 POST - A4M01566
(2) 6"x6"x88" (152x152x2235)

(2) **JOIST ASSEMBLY - FROM PREVIOUS STEPS**

H101101 TORX PAN HEAD
(8) 1/4-20x3/4"

H101053 STEEL WASHER
(8) 6x20

H101103 TORX SOCKET SCREW
(16) 1/4x20

H101054 SEALANT WASHER
(8)

LAY PARTS ON GROUND OR SAW HORSES FOR EASE OF ASSEMBLY.



103 (x8) BOLT - 1/4x20

ENSURE UPPER BOLT HOLES ARE FACING OUT ON POSTS.

JOIST ASSEMBLY (x1)

101(x4) BOLT - 3/4"

A1 (x1) POST

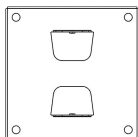
053 (x4) STEEL WASHER - 6x20

A2 (x1) POST

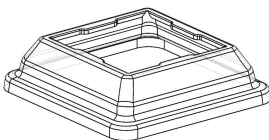
054 (x4) SEALANT WASHER

SQUARE UP POSTS TO JOIST AND FULLY TIGHTEN ALL BOLTS.

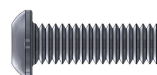
REPEAT THIS STEP FOR OTHER UPRIGHT ASSEMBLY.



G1 POST FOOT PLATE - A4M01278
(4) | 2 1/8"x8 3/8"x8 3/8" (54x213x213)



G2 POST FOOT - A4M01279
(4) | 2 5/8"x9 7/8"x9 7/8" (68x250x250)



H101101 TORX PAN HEAD
(8) | 1/4-20x3/4"

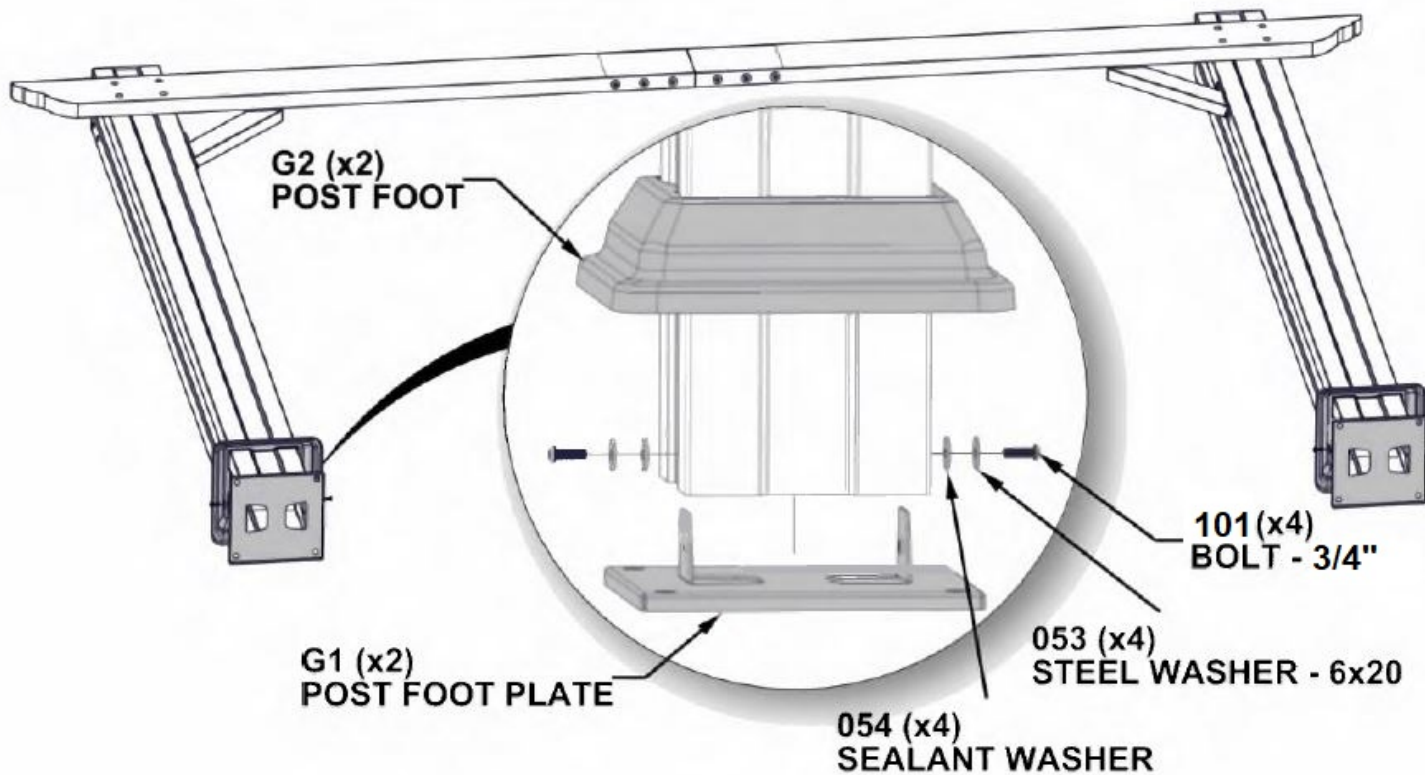


H101053 STEEL WASHER
(8) | 6x20



H101054 SEALANT WASHER
(8)

SLIDE A POST FOOT ONTO EACH POST THEN BOLT ON POST FOOT PLATES TO EACH POST. VERTICAL TAB ON POST FOOT PLATE LINES UP WITH HOLES ON SIDE OF POST.



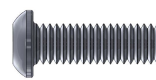
REPEAT THIS STEP FOR OTHER UPRIGHT ASSEMBLY.



B3 JOIST - A4M01596
(2) 1 3/8"x5 1/4"x71 1/4" (36x134x1811)



J1 SPLICE BRACKET - A4M01269
(4) 1 1/4"x5 1/8"x19 5/8" (33x131x500)



H101101 TORX PAN HEAD
(24) 1/4-20x3/4"



H101053 STEEL WASHER
(24) 6x20



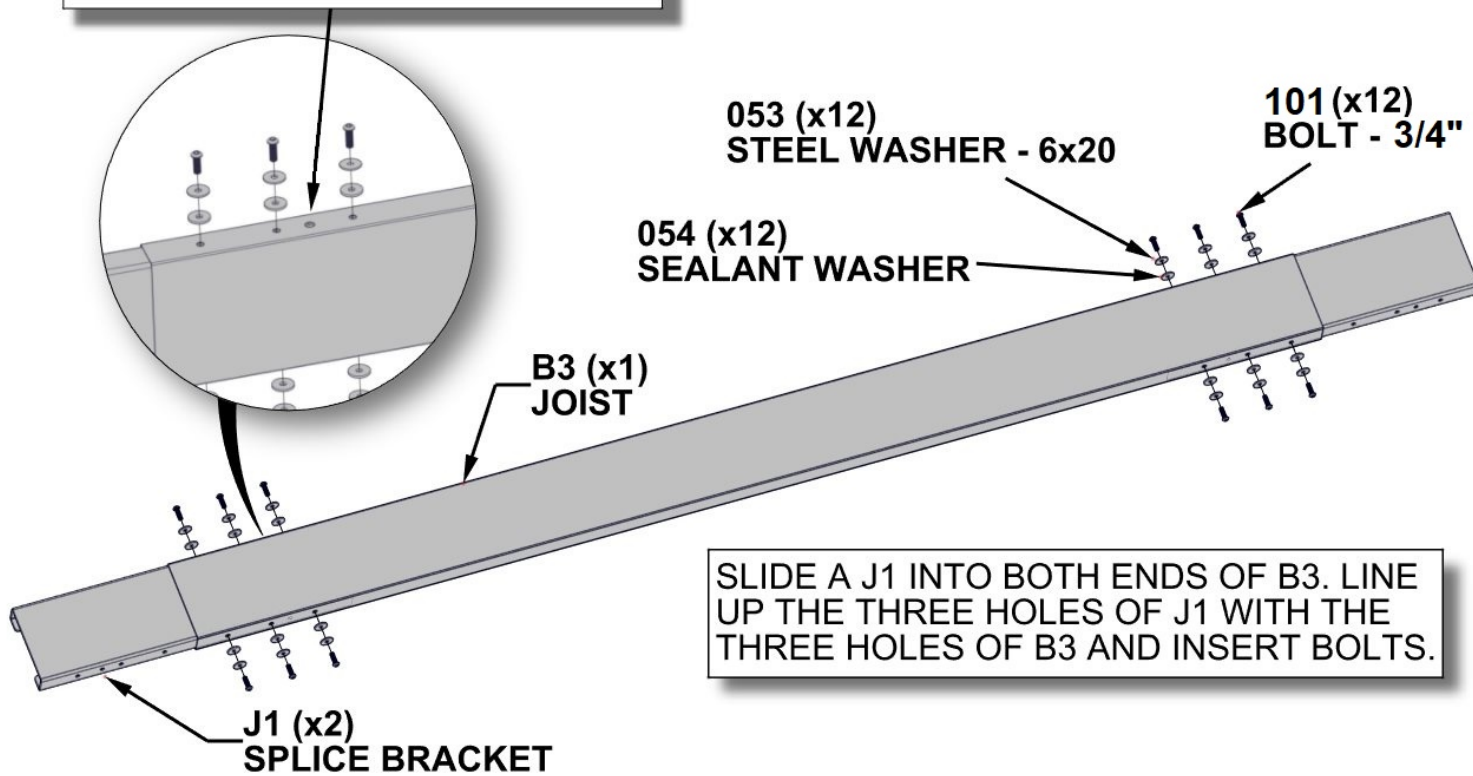
H101054 SEALANT WASHER
(24)



DO NOT FULLY TIGHTEN BOLTS AT THIS STEP.

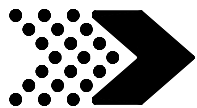


DO NOT INSERT A BOLT INTO THE LARGER HOLE ON EITHER END.



SLIDE A J1 INTO BOTH ENDS OF B3. LINE UP THE THREE HOLES OF J1 WITH THE THREE HOLES OF B3 AND INSERT BOLTS.

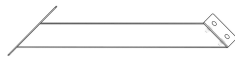
REPEAT THIS STEP FOR OTHER JOIST.



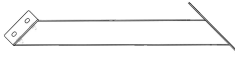
B1 JOIST END - A4M01597
(2) | 1 3/8"x5 1/4"x48 1/2" (36x134x1232)



B2 JOIST END - A4M0198
(2) | 1 3/8"x5 1/4"x48 1/2" (36x134x1232)



F1 LONG ANGLE BRACE - A4M01273
(2) | 1 1/8"x4"x21 1/2" (30x101x546)



F2 LONG ANGLE BRACE - A4M01274
(2) | 1 1/8"x4"x21 1/2" (30x101x546)



H101101 TORX PAN HEAD
(32) | 1/4-20x3/4"

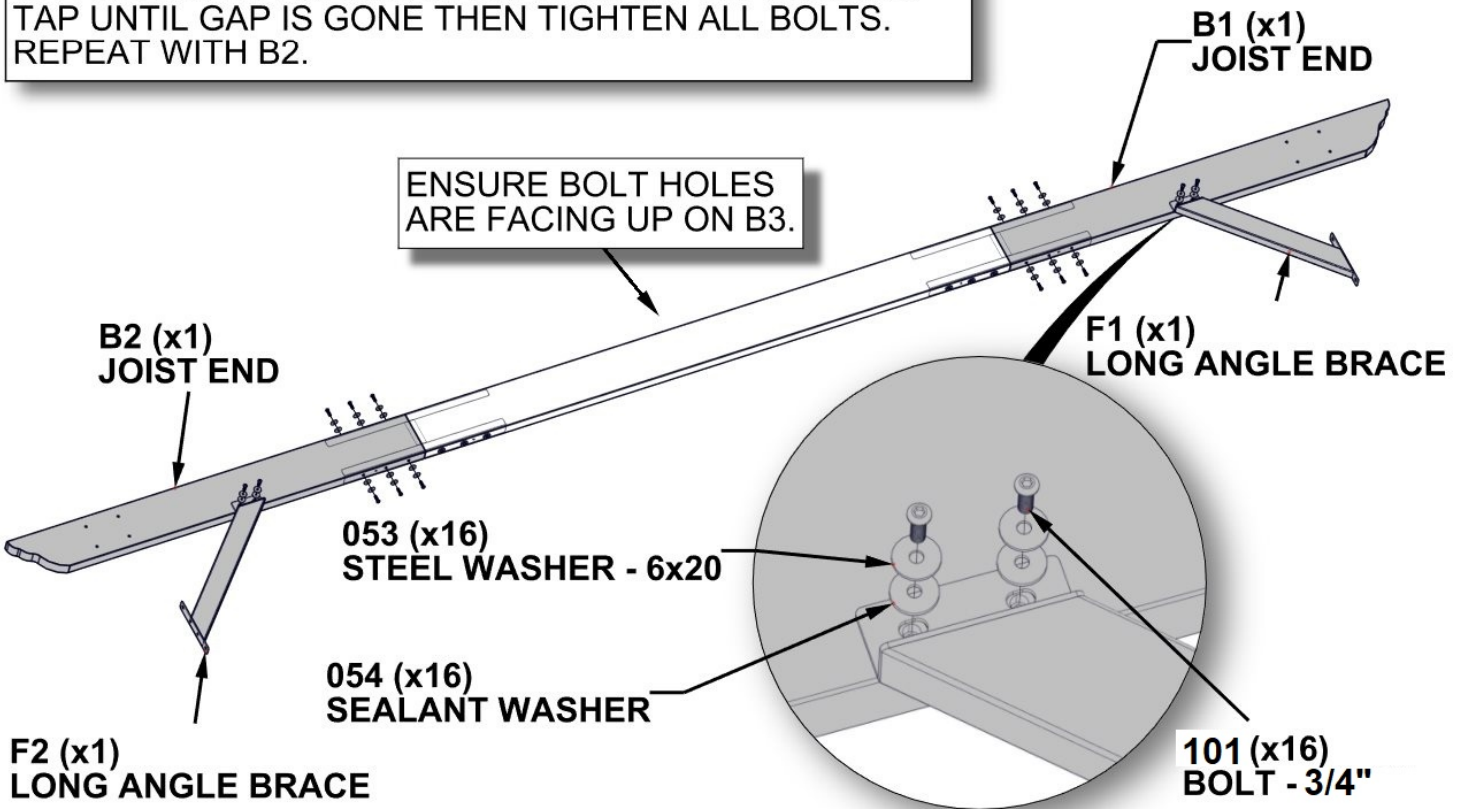


H101053 STEEL WASHER
(32) | 6x20



H101054 SEALANT WASHER
(32)

SLIDE B1 ONTO SPLICE BRACKET. STAND UP ASSEMBLY ON END WITH PACKAGING CARDBOARD ON GROUND. TAP UNTIL GAP IS GONE THEN TIGHTEN ALL BOLTS. REPEAT WITH B2.



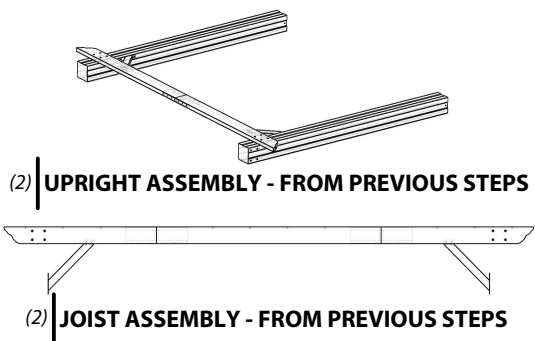
DO NOT FULLY TIGHTEN BOLTS ON ANGLE BRACES AT THIS STEP.





REPEAT THIS STEP FOR OTHER JOIST ASSEMBLY.



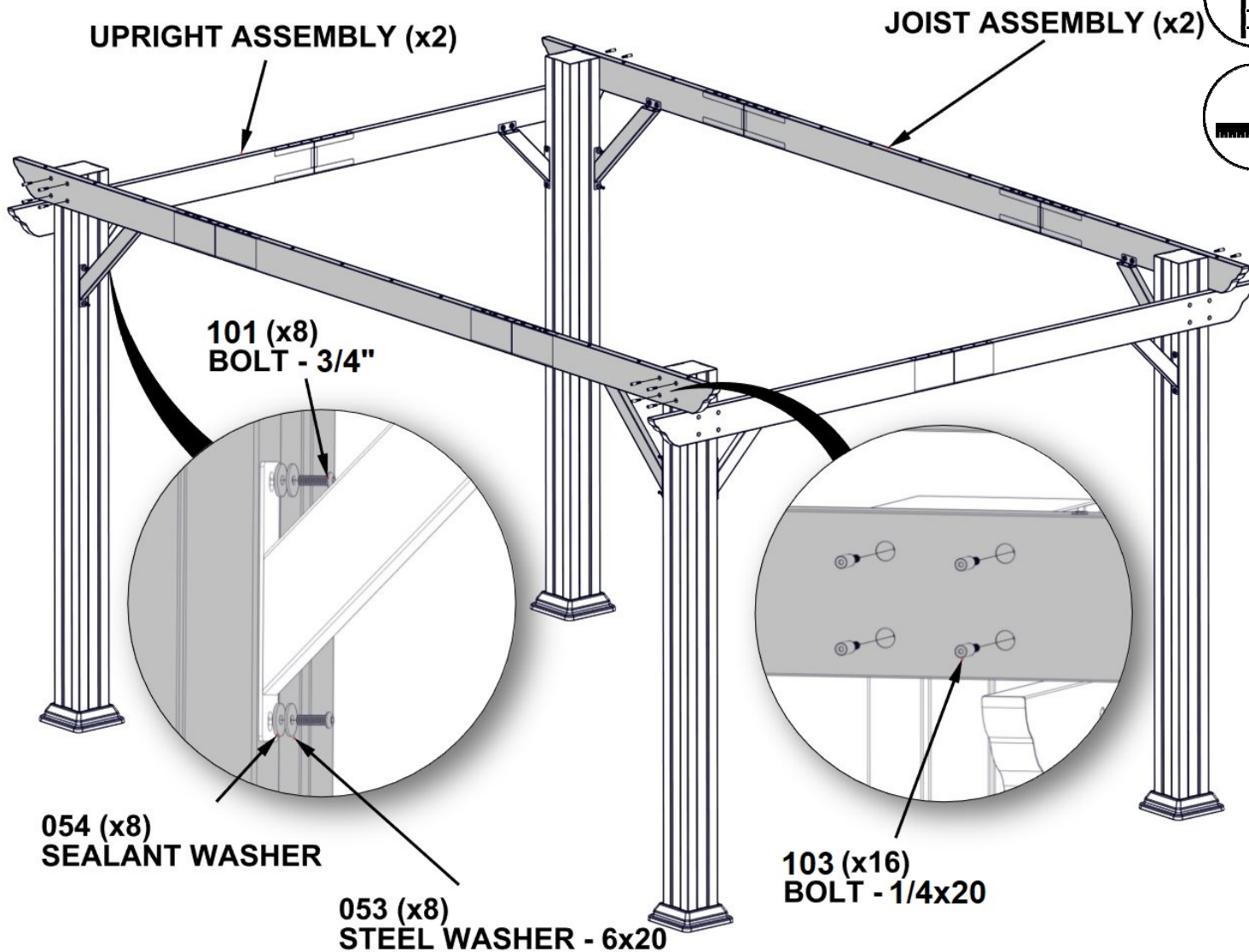
PERGOLA ASSEMBLY

STEP 7



- | | | | |
|--|---|---|---|
|  | H101101 TORX PAN HEAD
(8) 1/4-20x3/4" |  | H101103 TORX SOCKET SCREW
(16) 1/4-20 |
|  | H101053 STEEL WASHER
(8) 6x20 |  | H101054 SEALANT WASHER
(8) |

WITH BOTH UPRIGHT ASSEMBLIES STANDING, ONE JOIST ASSEMBLY IS BOLTED ON WITHOUT FULLY TIGHTENING BOLTS. ONCE ONE JOIST ASSEMBLY IS BOLTED ON, BOLT ON SECOND JOIST ASSEMBLY.



SQUARE UP ALL POSTS TO JOIST ASSEMBLIES AND FULLY TIGHTEN ALL BOLTS.

NOTE: A THIRD PERSON IS HELPFUL FOR THIS STEP.



D1 JOIST END - A4M01284
(4) | 1 5/8"x3 1/8"x60 1/8" (40x80x1526)



J3 SPLICE BRACKET - A4M01271
(4) | 1 1/2"x3"x15 3/4" (37x77x400)



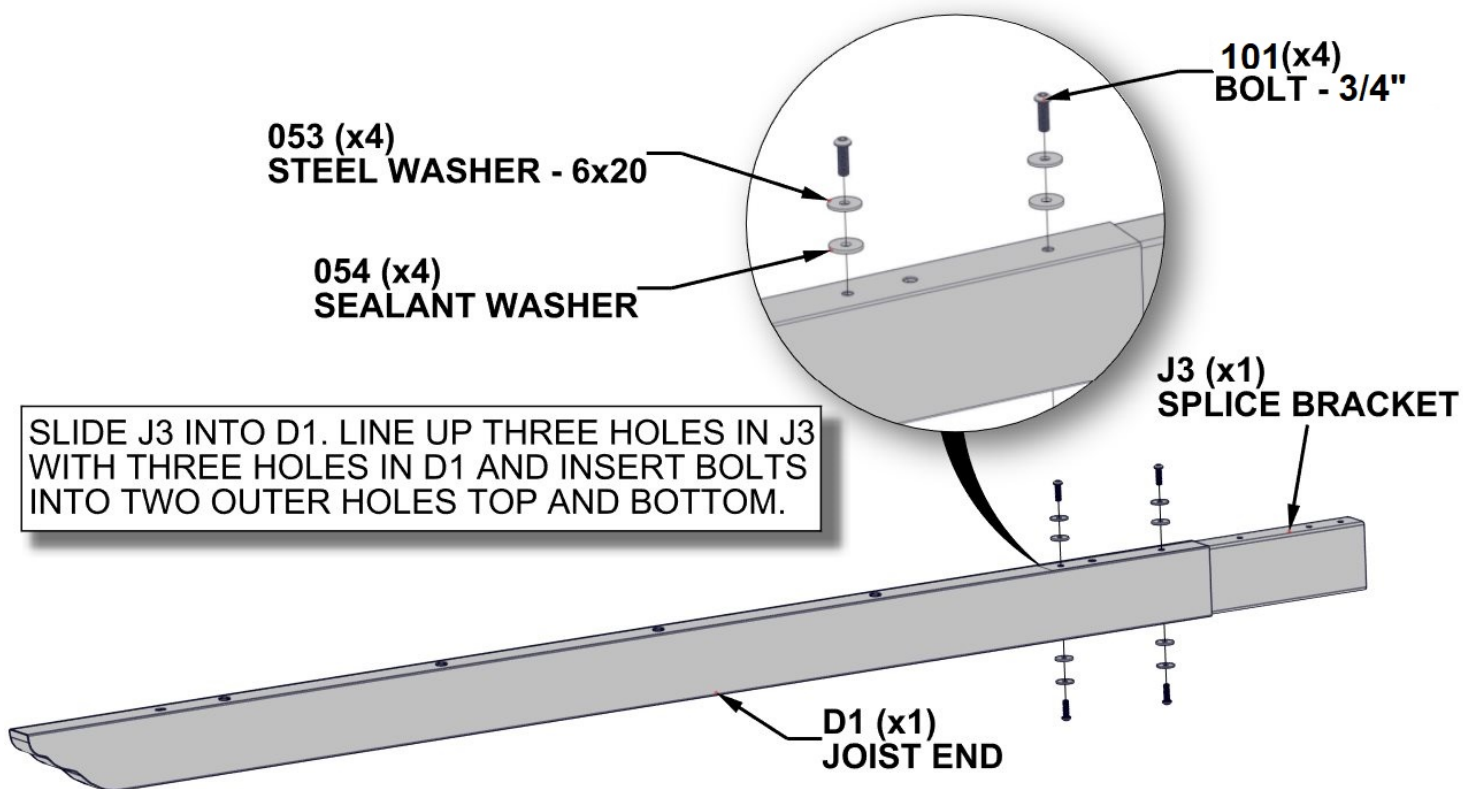
H101101 TORX PAN HEAD
(16) | 1/4-20x3/4"



H101053 STEEL WASHER
(16) | 6x20



H101054 SEALANT WASHER
(16)

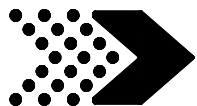


SLIDE J3 INTO D1. LINE UP THREE HOLES IN J3 WITH THREE HOLES IN D1 AND INSERT BOLTS INTO TWO OUTER HOLES TOP AND BOTTOM.



DO NOT FULLY TIGHTEN BOLTS AT THIS STEP.

COMPLETE THIS STEP FOUR TIMES.



D1 JOIST END - A4M01284
(4) | 1 5/8"x3 1/8"x60 1/8" (40x80x1526)



H101101 TORX PAN HEAD
(16) | 1/4-20x3/4"

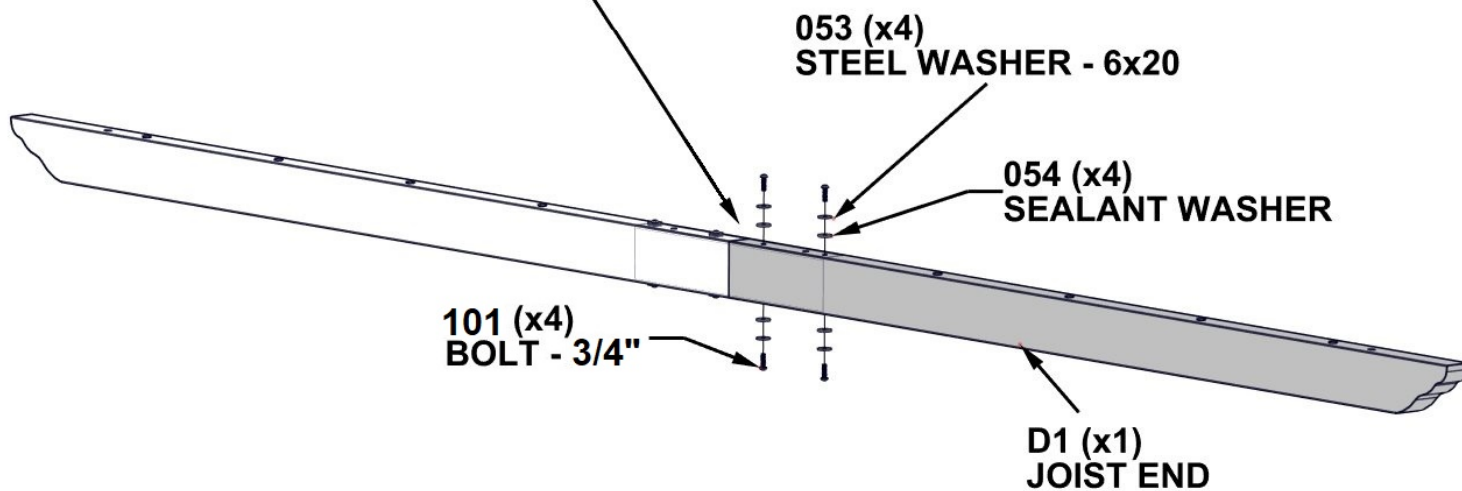


H101053 STEEL WASHER
(16) | 6x20

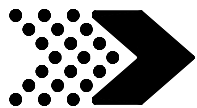


H101054 SEALANT WASHER
(16)

SLIDE D1 ONTO SPLICE BRACKET. STAND UP ASSEMBLY ON END WITH PACKAGING CARDBOARD ON GROUND. TAP UNTIL GAP IS GONE THEN TIGHTEN ALL BOLTS ON JOIST.



COMPLETE THIS STEP FOUR TIMES.



H101102 | TORX PAN HEAD
(8) | 1/4-20x4"



H101053 | STEEL WASHER
(8) | 6x20



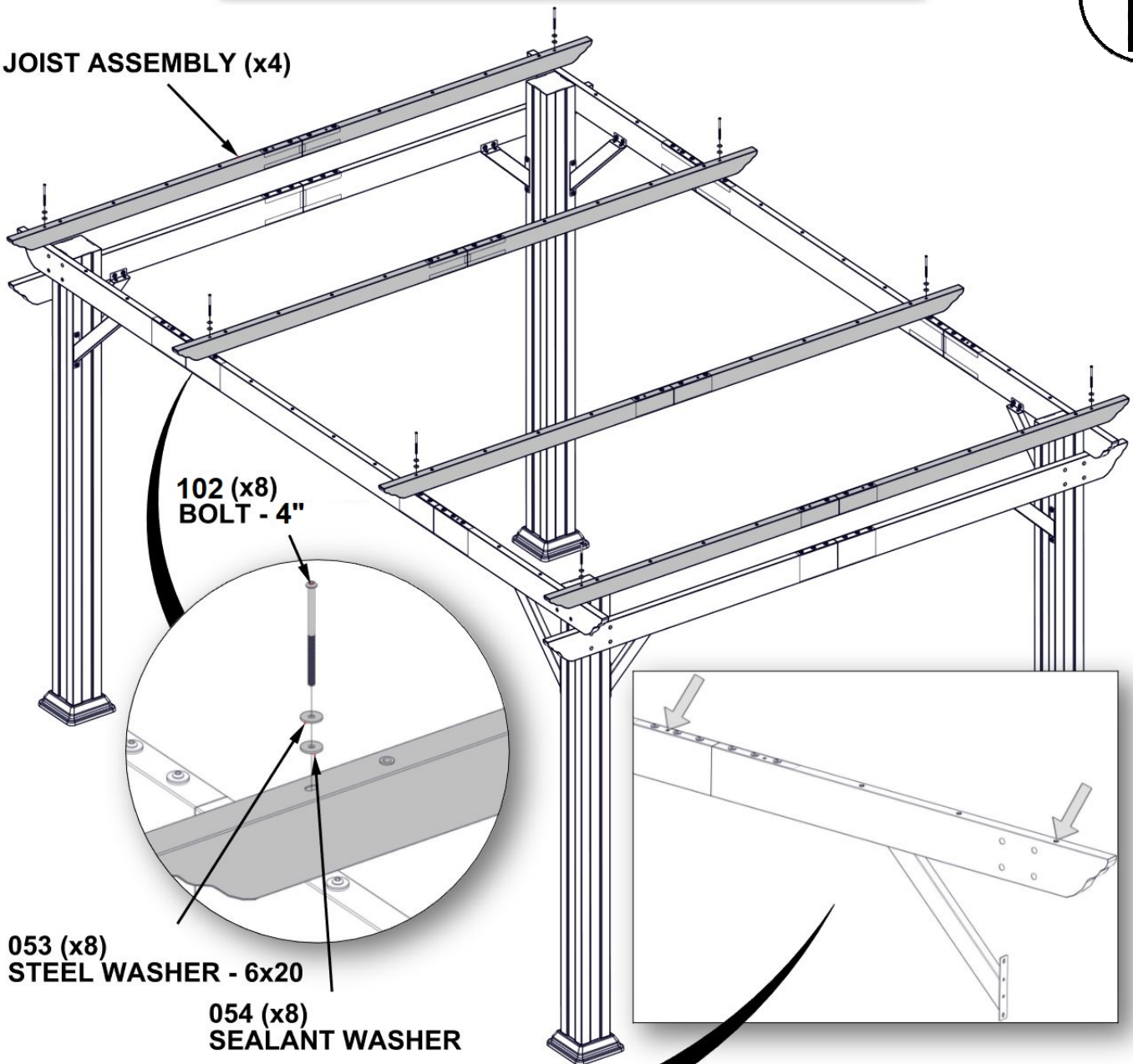
H101054 | SEALANT WASHER
(8)

(4) JOIST ASSEMBLY - FROM PREVIOUS STEPS

BOLT ONE SIDE OF JOISTS FIRST THEN BOLT OTHER SIDE. DO NOT FULLY TIGHTEN BOLTS AT THIS STEP.



JOIST ASSEMBLY (x4)

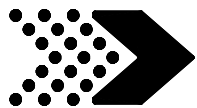


102 (x8)
BOLT - 4"

053 (x8)
STEEL WASHER - 6x20

054 (x8)
SEALANT WASHER

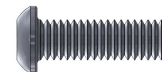
ENSURE JOIST ASSEMBLIES ARE SPACED OUT CORRECTLY AS PLACEMENT IS CRITICAL FOR PURLIN ATTACHMENT.



D2 | JOIST END - A4M01285
(10) | 1 5/8"x3 1/8"x60 1/8" (40x80x1526)



J3 | SPLICE BRACKET - A4M01271
(10) | 1 1/2"x3"x15 3/4" (37x77x400)



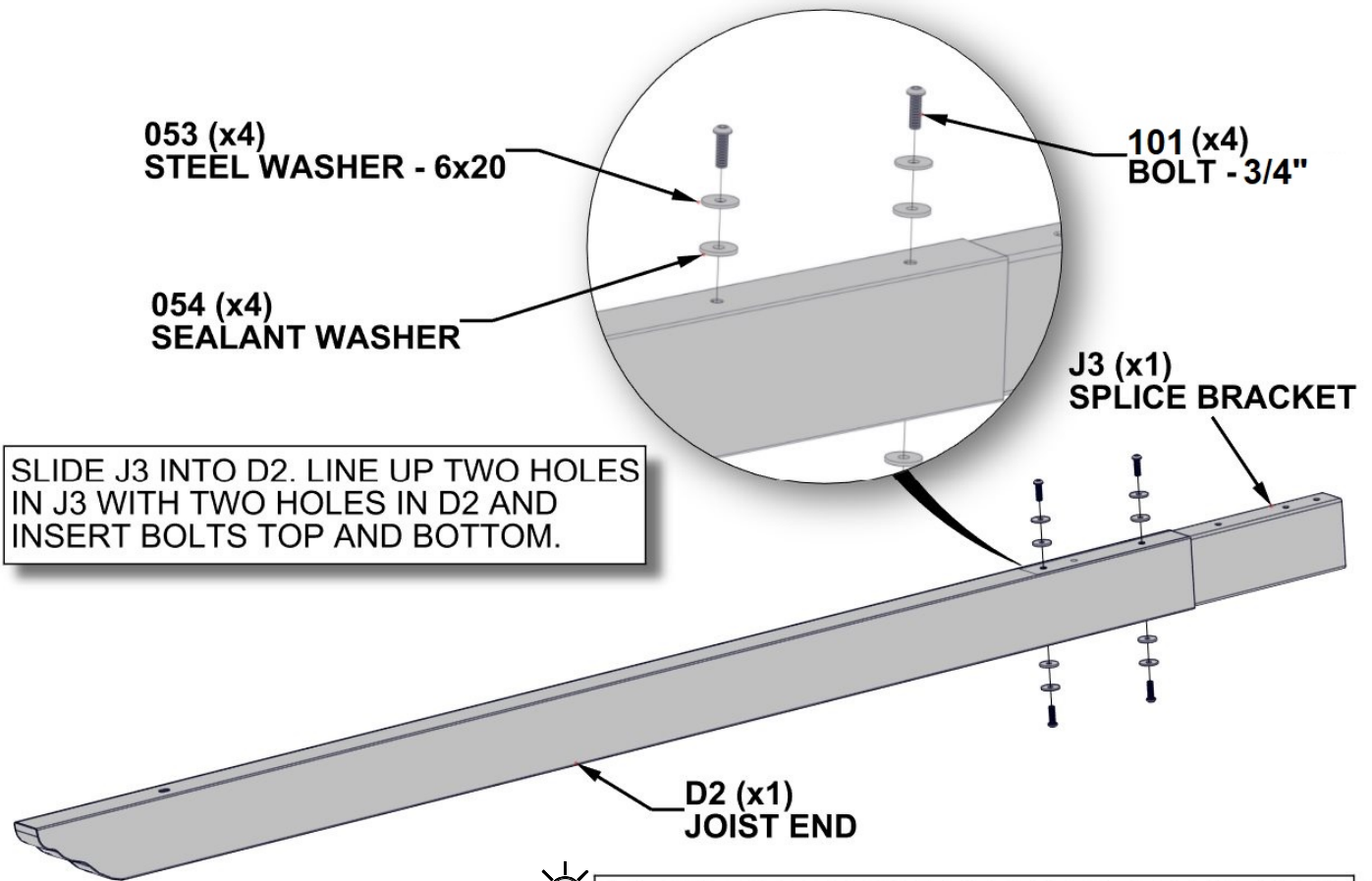
H101101 | TORX PAN HEAD
(40) | 1/4-20x3/4"



H101053 | STEEL WASHER
(40) | 6x20



H101054 | SEALANT WASHER
(40)

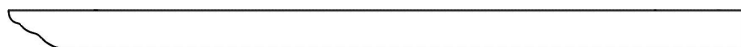
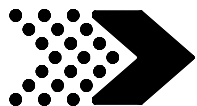


SLIDE J3 INTO D2. LINE UP TWO HOLES IN J3 WITH TWO HOLES IN D2 AND INSERT BOLTS TOP AND BOTTOM.



DO NOT FULLY TIGHTEN BOLTS AT THIS STEP.

COMPLETE THIS STEP TEN TIMES.



D2 JOIST END - A4M01285
(10) 1 5/8"x3 1/8"x60 1/8" (40x80x1526)



H101101 TORX PAN HEAD
(40) 1/4-20x3/4"

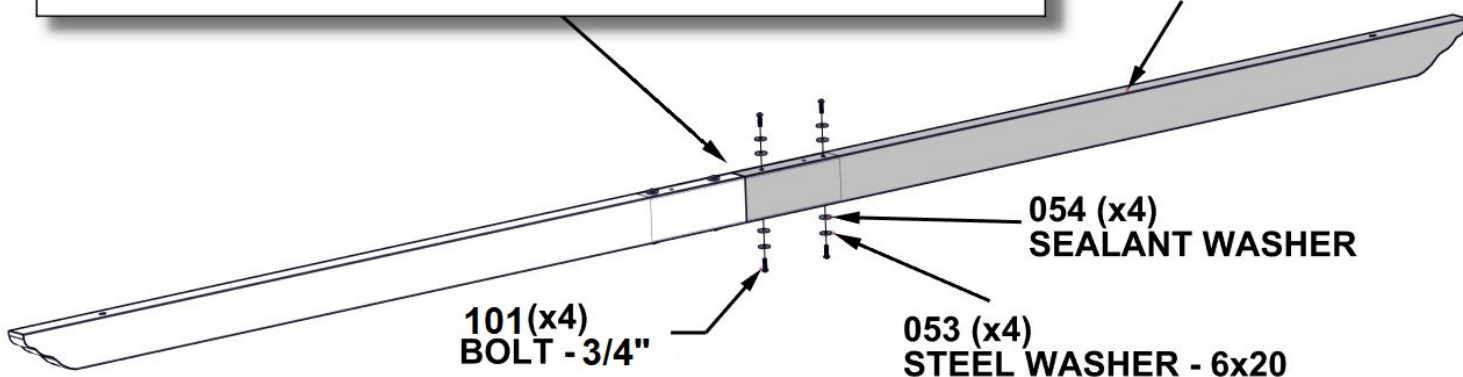


H101053 STEEL WASHER
(40) 6x20

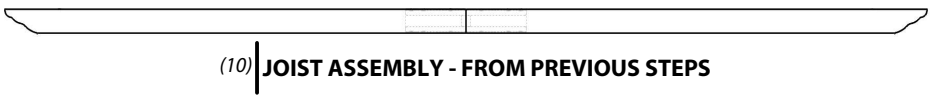
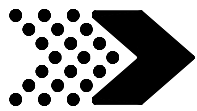


H101054 SEALANT WASHER
(40)

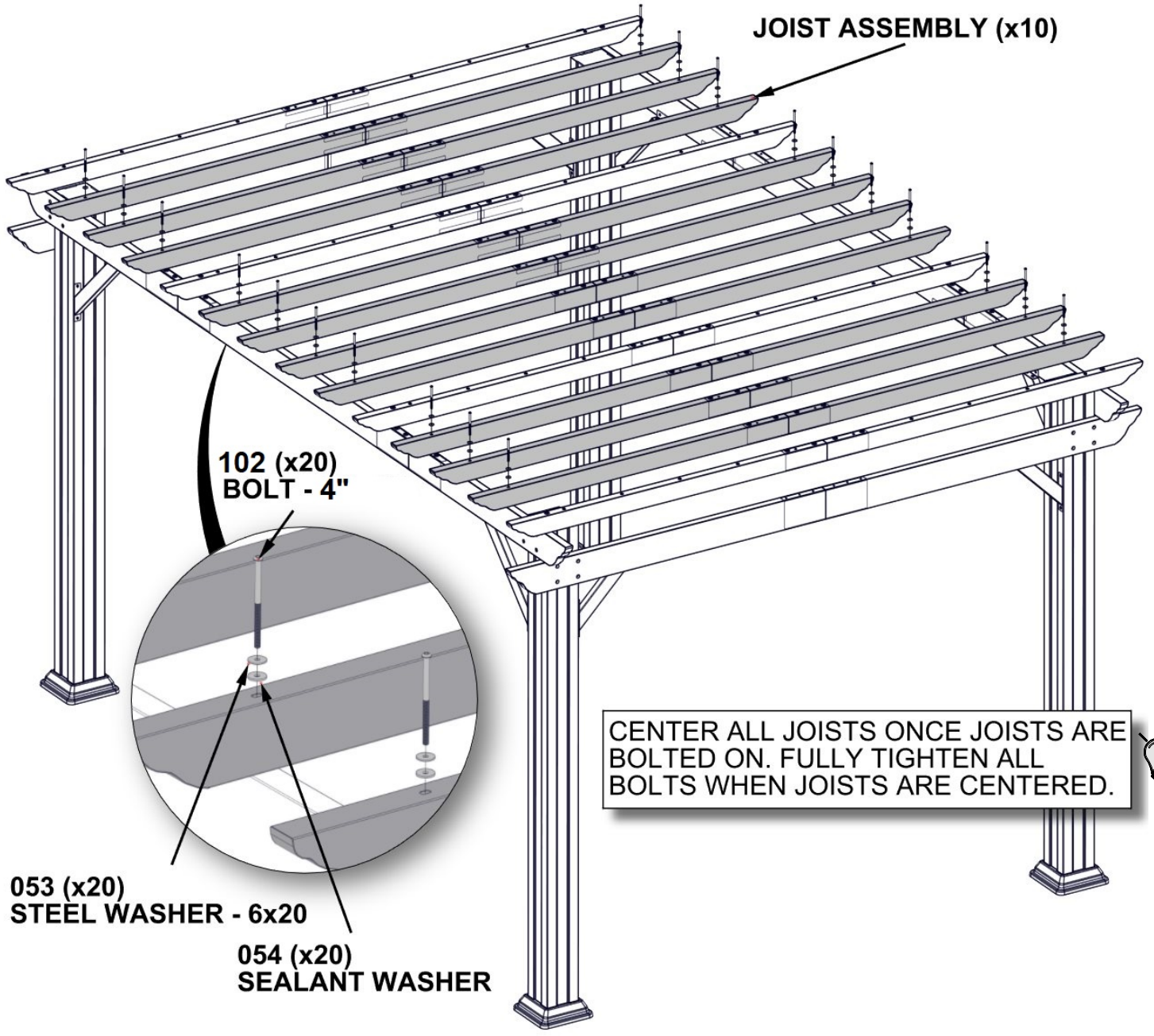
SLIDE D2 ONTO SPLICE BRACKET. STAND UP ASSEMBLY ON END WITH PACKAGING CARDBOARD ON GROUND. TAP UNTIL GAP IS GONE THEN TIGHTEN ALL BOLTS ON JOIST.



COMPLETE THIS STEP TEN TIMES.

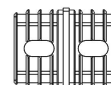


BOLT ONE SIDE OF JOISTS FIRST THEN BOLT OTHER SIDE. DO NOT FULLY TIGHTEN BOLTS YET.





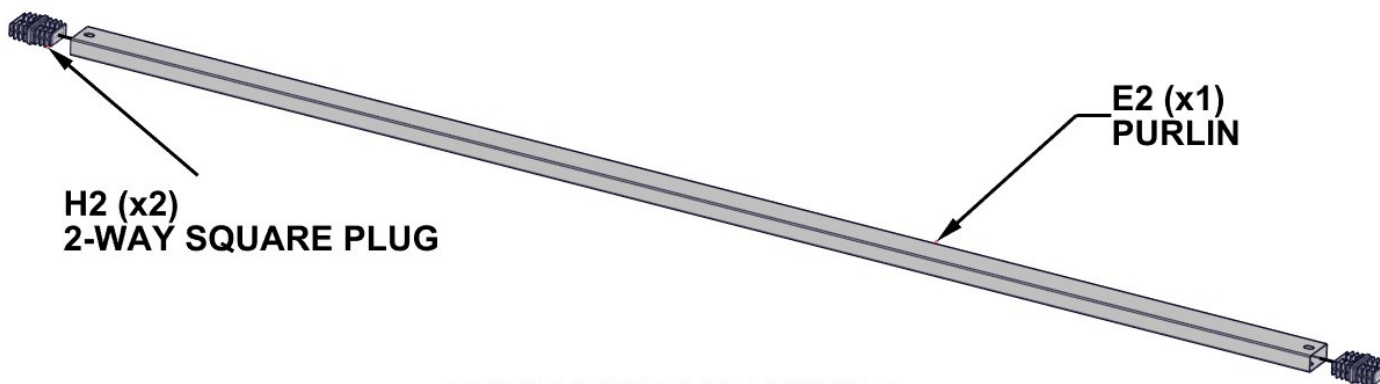
E2 PURLIN - A4M01277
(10) 3/4"x1 5/8"x60 3/8" (20x40x1534)



H2 2-WAY SQUARE PLUG- A6P00465
(20) 3/4"x1 5/8"x2" (20x40x52)

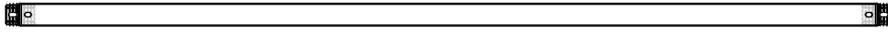
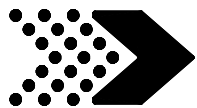


SLIDE A 2-WAY SQUARE PLUG INTO EACH END OF PURLIN.



COMPLETE THIS STEP TEN TIMES.

NOTE: A RUBBER MALLETT MAY BE HELPFUL TO GET THE 2-WAY SQUARE PLUGS INTO THE ENDS OF THE PURLIN.



(10) PURLIN ASSEMBLY - FROM PREVIOUS STEPS



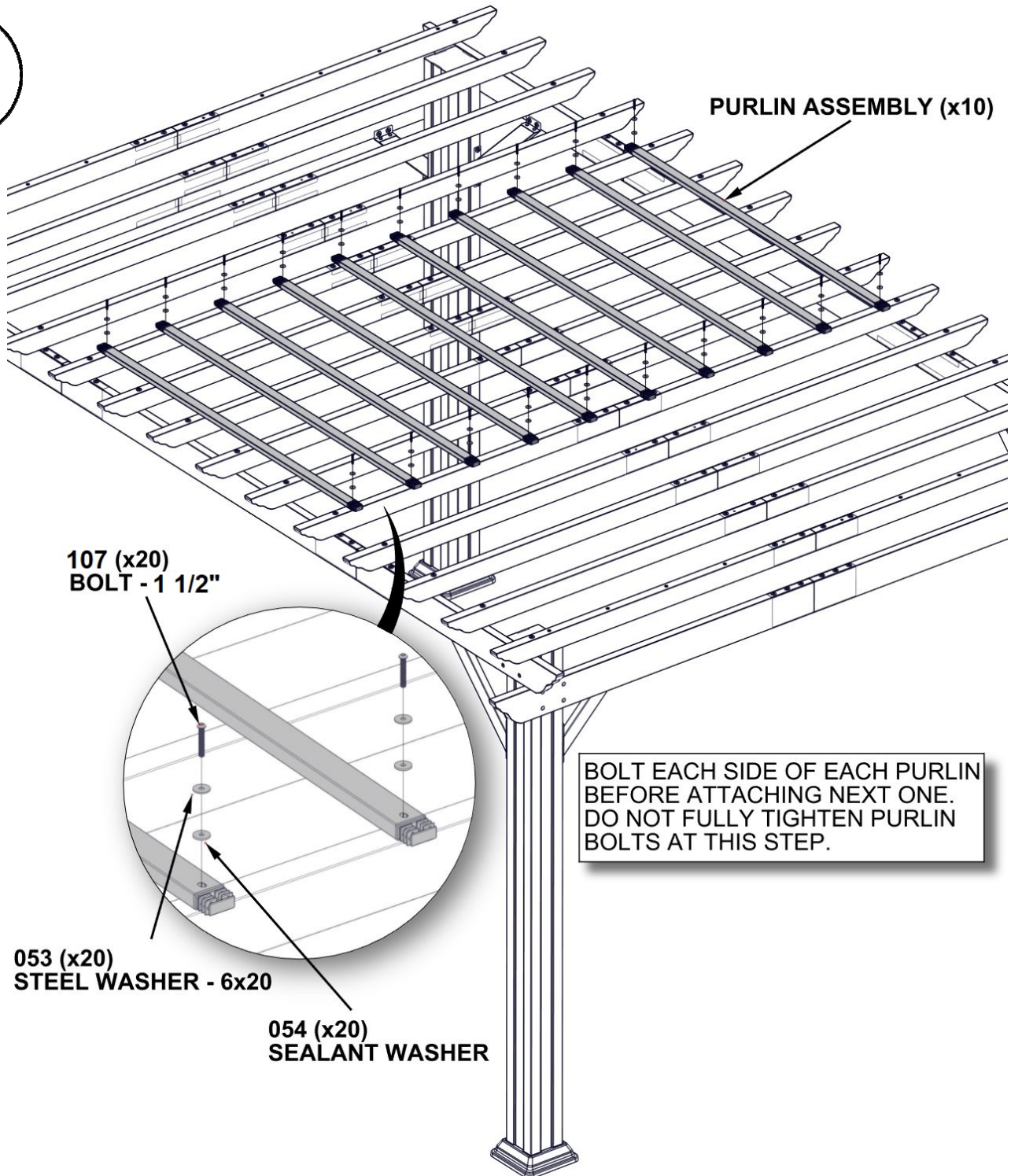
H101107 | TORX PAN HEAD
(20) | 1/4-20x1 1/2"



H101053 | STEEL WASHER
(20) | 6x20



H101054 | SEALANT WASHER
(20)



PURLIN ASSEMBLY (x10)

107 (x20)
BOLT - 1 1/2"

053 (x20)
STEEL WASHER - 6x20

054 (x20)
SEALANT WASHER

BOLT EACH SIDE OF EACH PURLIN BEFORE ATTACHING NEXT ONE. DO NOT FULLY TIGHTEN PURLIN BOLTS AT THIS STEP.



E1 PURLIN END - A4M01286
(20) | 3/4"x1 5/8"x53 7/8" (20x40x1368)



H101107 TORX PAN HEAD
(20) | 1/4-20X1 1/2"

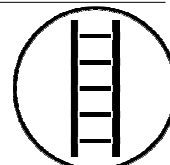


H101053 STEEL WASHER
(20) | 6x20



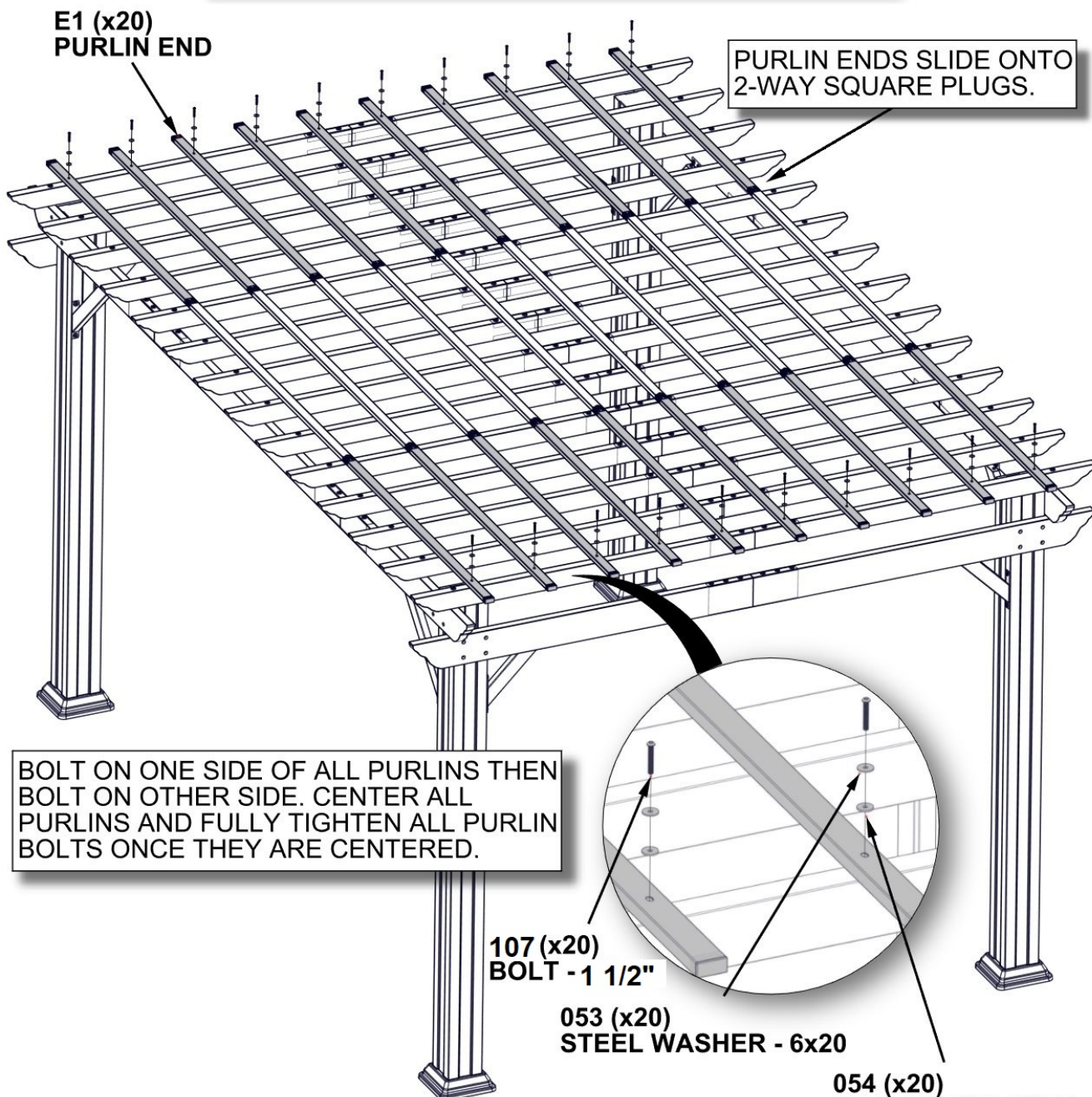
H101054 SEALANT WASHER
(20)

NOTE: A RUBBER MALLET MAY BE HELPFUL TO GET THE PURLIN ENDS ONTO THE 2-WAY SQUARE PLUGS.



**E1 (x20)
PURLIN END**

PURLIN ENDS SLIDE ONTO
2-WAY SQUARE PLUGS.



BOLT ON ONE SIDE OF ALL PURLINS THEN BOLT ON OTHER SIDE. CENTER ALL PURLINS AND FULLY TIGHTEN ALL PURLIN BOLTS ONCE THEY ARE CENTERED.

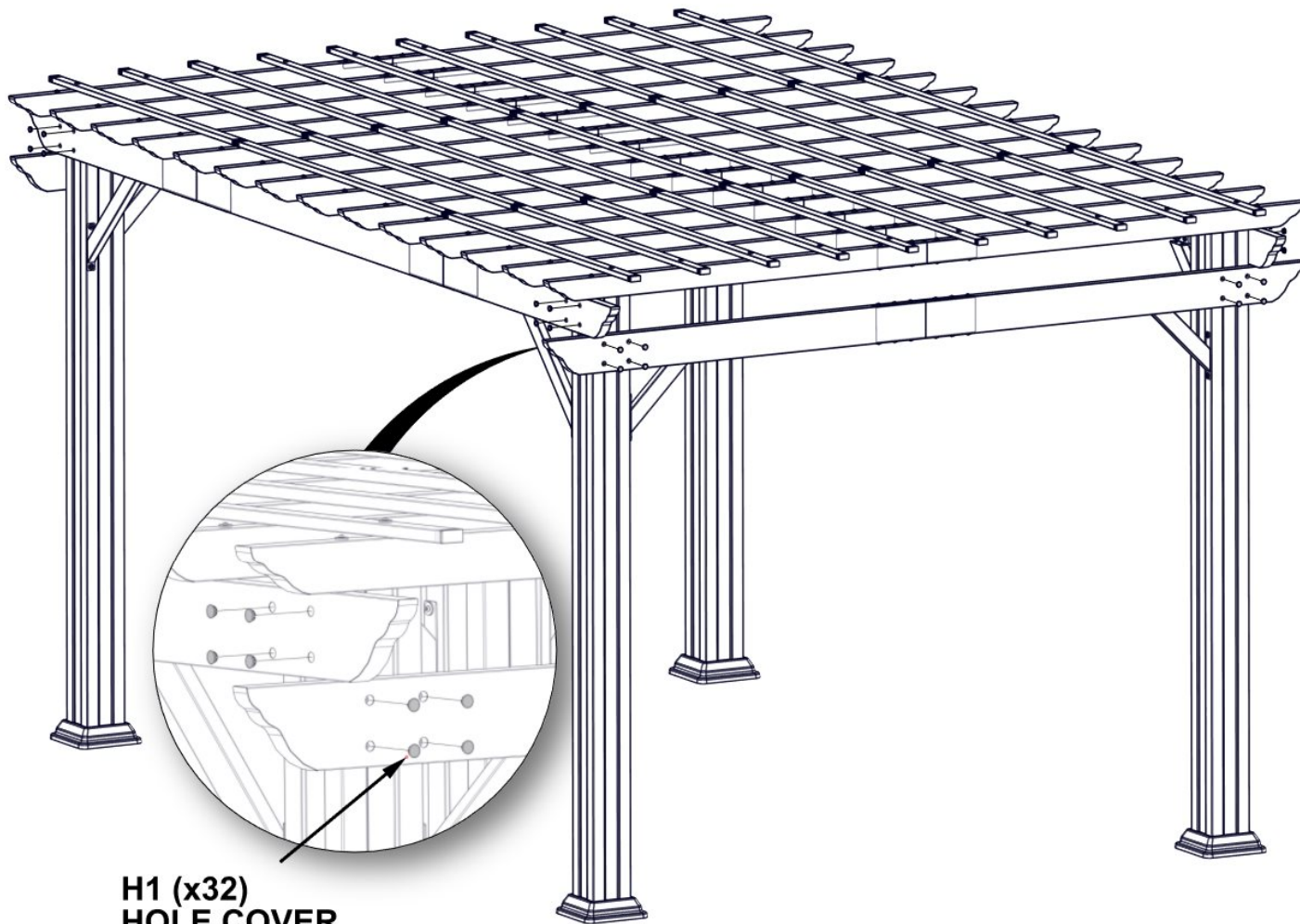
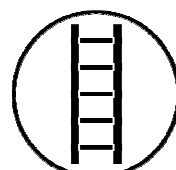
**107 (x20)
BOLT - 1 1/2"**

**053 (x20)
STEEL WASHER - 6x20**

**054 (x20)
SEALANT WASHER**



H1 | HOLE COVER - A4M01352
(32)



**H1 (x32)
HOLE COVER**

USE A SMALL PIECE OF WOOD TO TAP HOLE
COVERS IN WITH A RUBBER Mallet.



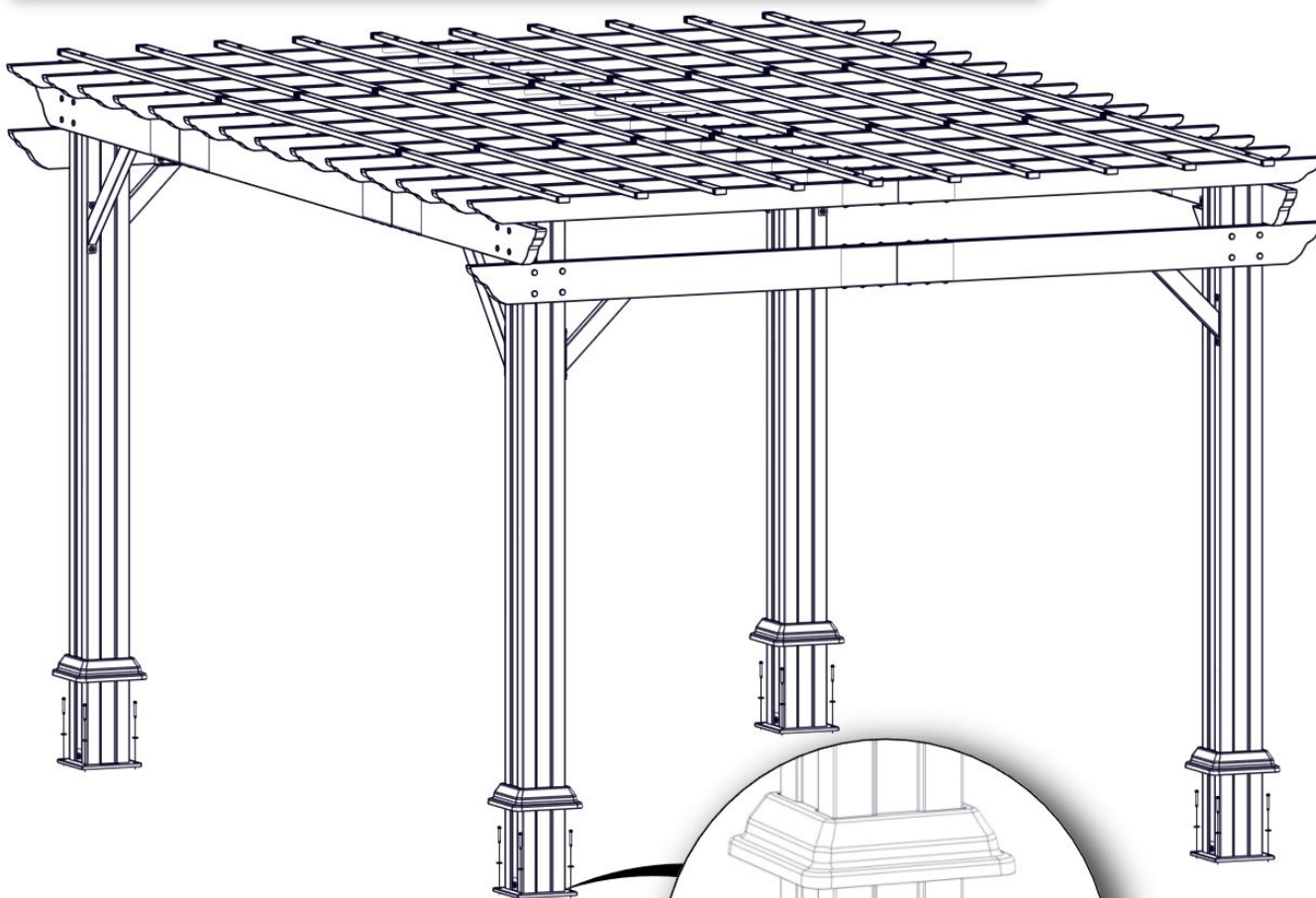
H100120 | SCREW CONCRETE ANCHOR
(16) | 1/4x2



H100630 | WASHER FLAT BLK
(16) | 8x19

MANUFACTURER RECOMMENDS INSTALLATION ON CONCRETE SURFACE OR CONCRETE POST PAD AS SHOWN BELOW.

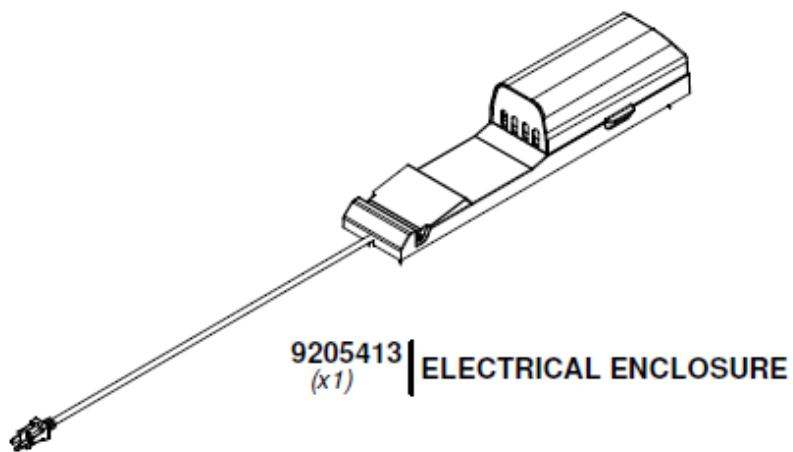
FOR INSTALLATION ON WOOD DECK, YOU MUST ENSURE THERE IS AMPLE STRUCTURAL SUPPORT UNDER THE DECK. HARDWARE NOT INCLUDED FOR DECK ATTACHMENT.



**120 (x16)
SCREW - 2"**

**630 (x16)
WASHER - 8x19**

PRE-DRILL HOLES FOR CONCRETE ANCHORS USING A 3/16" CONCRETE DRILL BIT.



FOR ELECTRICAL ENCLOSURE INSTALLATION REFER TO ASSEMBLY INSTRUCTIONS THAT COMES PACKAGED WITH THE ELECTRICAL ENCLOSURE KIT. INSTALL ON ANY POST THAT IS DESIRED. FOLLOW DIRECTIONS FOR PROPER INSTALLATION.



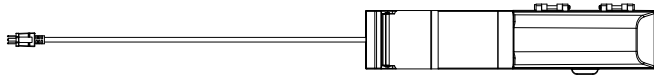
PowerPort™

Model # 9205413
Wood Post Mounting Instructions



PowerPort.

MANUFACTURED BY:
Backyard Discovery
3305 Airport Drive
Pittsburg, KS 66762
800-856-4445

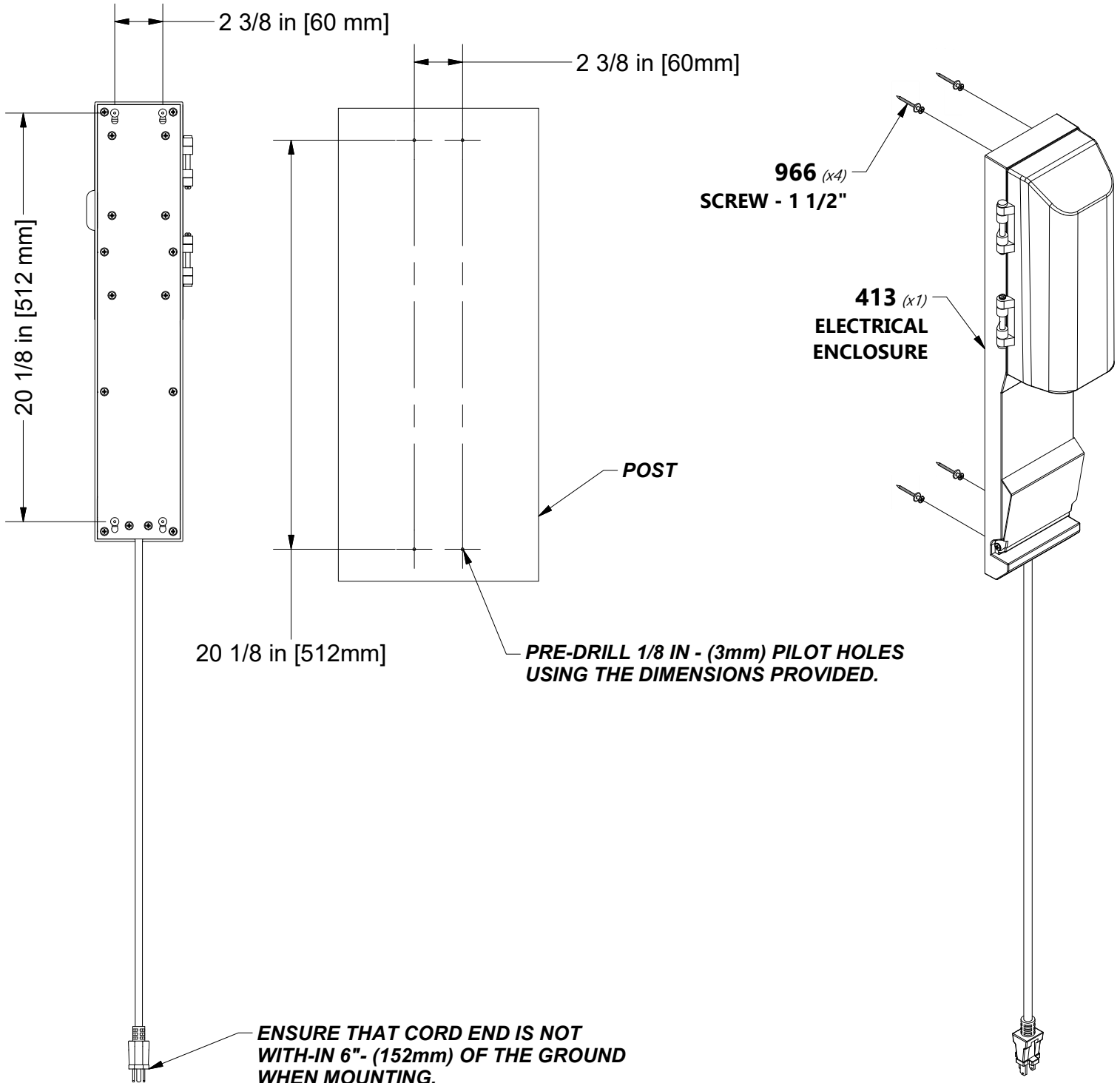


9205413 | ELECTRICAL ENCLOSURE
(x1)



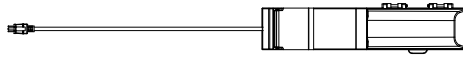
H100966 | SCREW RAISED HEAD
(x4) | 8x1 1/2

WARNING: Cancer and Reproductive Harm - www.P65Warnings.ca.gov





A4M01292 | MOUNTING BRACKET
(x2)

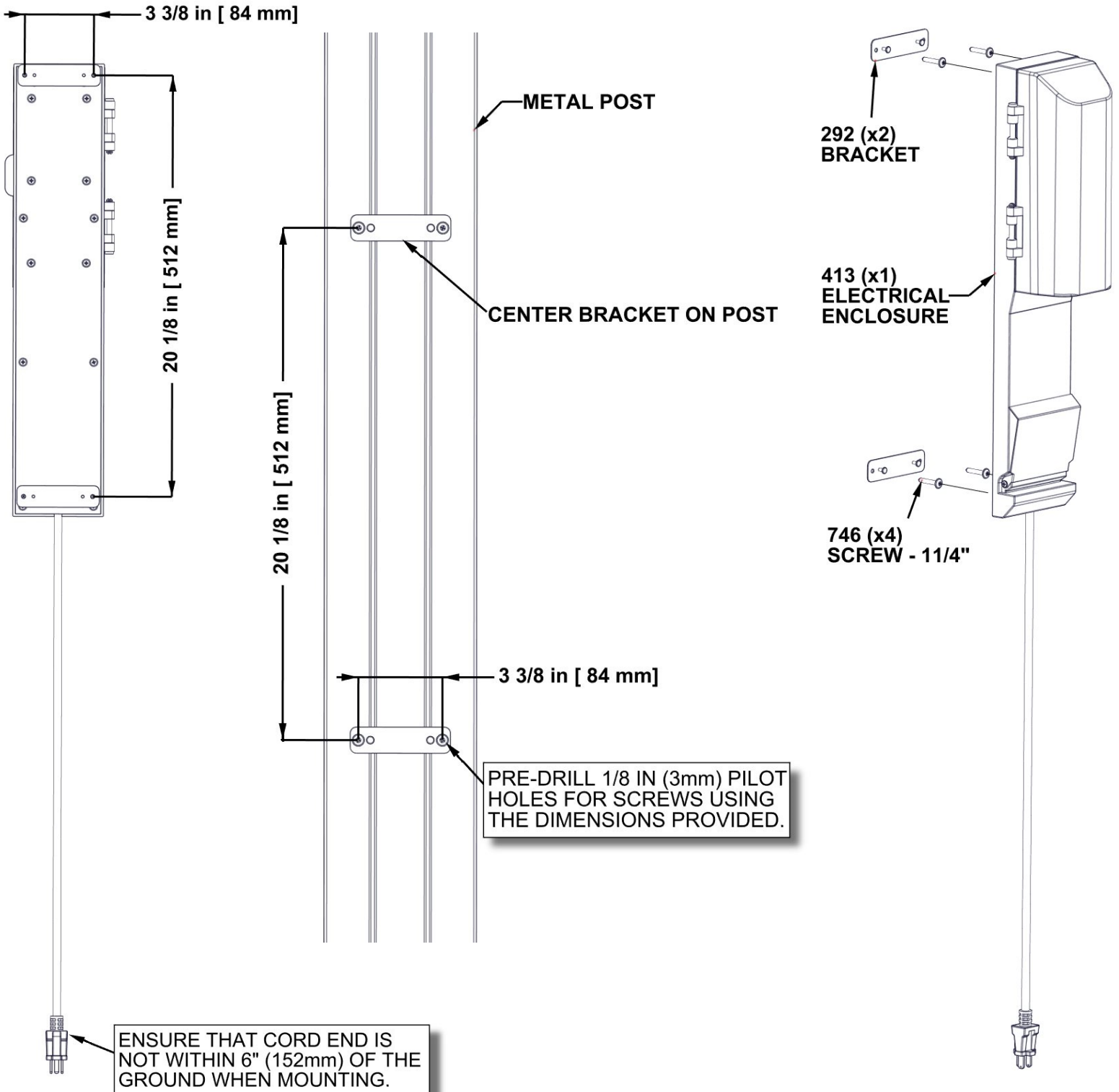


9205413 | ELECTRICAL ENCLOSURE
(x1)



H100746 | SCREW TAPPING
(x4) 10x1 1/4"

WARNING: Cancer and Reproductive Harm - www.P65Warnings.ca.gov



FCC MARKING:

This device complies with part 15 of the FCC Rules. Operation is subject to the following two conditions: (1) This device may not cause harmful interference, and (2) this device must accept any interference received, including interference that may cause undesired operation.

FCC INSTRUCTIONS:

CAUTION: Changes or modifications not expressly approved by the party responsible for compliance could void the user's authority to operate the equipment.

For a Class B digital device or peripheral, the instructions furnished the user shall include the following or similar statement, placed in a prominent location in the text of the manual:

Note: This equipment has been tested and found to comply with the limits for a Class B digital device, pursuant to part 15 of the FCC Rules. These limits are designed to provide reasonable protection against harmful interference in a residential installation. This equipment generates, uses and can radiate radio frequency energy and, if not installed and used in accordance with the instructions, may cause harmful interference to radio communications. However, there is no guarantee that interference will not occur in a particular installation. If this equipment does cause harmful interference to radio or television reception, which can be determined by turning the equipment off and on, the user is encouraged to try to correct the interference by one or more of the following measures:

- Reorient or relocate the receiving antenna.
- Increase the separation between the equipment and receiver.
- Connect the equipment into an outlet on a circuit different from that to which the receiver is connected.
- Consult the dealer or an experienced radio/TV technician for help.